



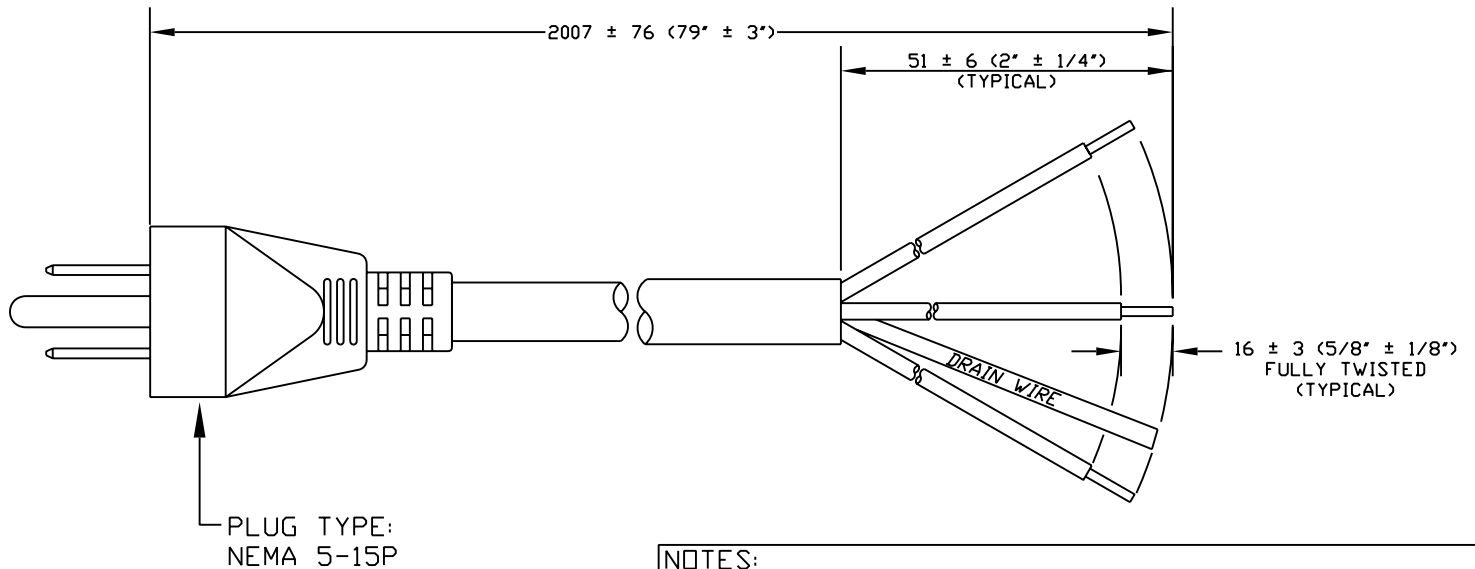
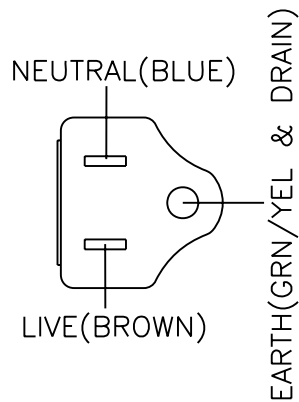
VOLEX

GROUP

Standard Cord Details: 17614 10 B1



Specifications	
Certifications	
Part Number	17614 10 B1
Connector Type	none
Plug Type	5-15P
Category	Plastic
Application	Non-Detachable
Plug Catalog No.	
Connector Catalog No.	
Cable	
Jacket Color	Black
Length in Feet	6'7"
Length in Meters	2
Temperature Rating	60 C
Packaging Units Per Carton	100
Color Coding	International
Nominal OD in Inches	0.365
Nominal OD in Millimeters	9.27

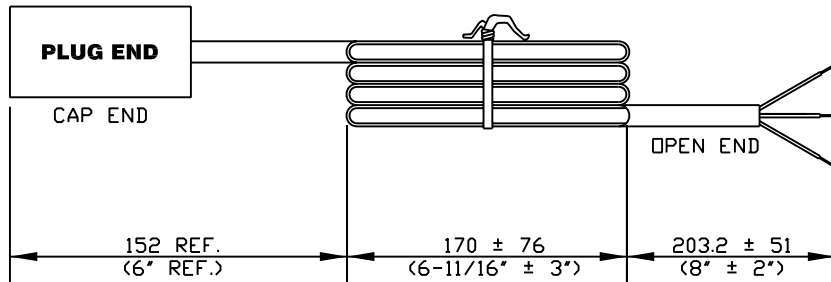


VOLEX RESERVES THE RIGHT TO ALTER NON-CRITICAL DIMENSIONS WITHOUT NOTICE.

NOTES:

- 1) CORDAGE: 16/3, SJT, 60°C, BLACK, LEAD FREE, FOIL SHILED WITH DRAIN WIRE.
- 2) APPROVALS:
- 3) RATING: 13 AMP/125 VOLTS
- 4) FLAME RATING : FT2
- 5) DRAIN WIRE CONNECTED TO GROUND PIN OF PLUG PRIOR TO MOLDING.
- 6) PACKAGING: 70 PIECES/CARTON
- 7) ALL DIMENSIONS IN MILLIMETERS UNLESS OTHERWISE NOTED.

PACKAGING: FOLD & TIE



1	C.U.D - NEW RELEASE	9/5/07
REV	DESCRIPTION	DATE



FORM IN71-07 REV.A

- Indianapolis, IN
- Conover, N.C.
- Fremont, CA
- Aguascalientes, MX
- Tijuana, Mexico
- Hermosillo, MX
- Clinton, AR
- Kanata, Canada

Proprietary Notice:

This document is the property of Volex Incorporated. The information contained herein is not to be disclosed to anyone without the express written consent of Volex Inc.

MATERIAL:
 PLUG: PVC, BLK, LEAD FREE
 JACKET: PVC, BLK, LEAD FREE

FINISH:
 JACKET: SMOOTH

SCALE:
 NOT TO SCALE

ECD:
 N/A

ITEM DESCRIPTION
 CORDSET - NORTH AMERICAN
 POWER SUPPLY CORD (6'")

TOLERANCE UNLESS OTHERWISE SPECIFIED
 .XXX ± .005
 .XX ± .02
 .X ± .03
 FRACT. ± 1/32
 ANGULAR ± 1/2°

APPROVED STC **DRAWN BY** STC **DATE:** 9/5/07

PART NO. 17614 10 B1